

# AQUAEZE

## Installation Guide



(Shown here with faucets which are not included)

*Certified*



# **IMPORTANT SAFETY INSTRUCTIONS**

**PLEASE READ AND FOLLOW ALL INSTRUCTIONS PROVIDED CAREFULLY**

## **Install to permit access for servicing**

"An equipment grounding terminal is provided in the field wiring compartment. To reduce the risk of electric shock, this terminal must be connected to the grounding means provided in the electric supply panel with a conductor equivalent in size to the circuit conductors supplying this equipment"

FOR INDOOR USE ONLY.

INSTALL IN ACCORDANCE WITH THE MANUFACTURER'S INSTALLATION INSTRUCTIONS.

USE SUPPLY WIRES SUITABLE FOR 30A OC.

CONNECT ONLY TO A CIRCUIT PROTECTED BY A CLASS A GROUND FAULT CIRCUIT INTERRUPTER.

CONNECT ONLY TO A BRANCH CIRCUIT PROTECTED BY AN OVERCURRENT PROTECTION DEVICE RATED NOT MORE THAN 30 A.

BONDING LUGS USE COPPER CONDUCTORS ONLY.

***SAVE THESE INSTRUCTIONS***

**WARNING** – When using electrical products, basic precautions should always be followed, including the following:

**CAUTION:** RISK OF ELECTRIC SHOCK, DISCONNECT ELECTRIC POWER BEFORE SERVICING

1. **DANGER:** RISK OF ELECTRIC SHOCK. Connect only to a circuit protected by a ground-fault circuit-interrupter.
2. **Grounding is required.** The unit should be installed by a qualified service representative and grounded.
3. **Never** run any cords through or near heaters, pump bodies or any device designed to increase water temperatures or produce heat during normal operations.
4. Be sure to install proper bracing and supports to handle the weight of these units when full which can exceed 1200lbs

**This manual has been provided to aid the installer during the installation process. It is highly recommended that your walk-in bathtub be installed by a properly licensed plumber or contractor. Failure to do so may void your warranty.**

**WARNING:** RISK OF ACCIDENTAL INJURY OR DROWNING, CHILDREN SHOULD NOT USE HYDROMASSAGE BATHTUB WITHOUT ADULT SUPERVISION.

**WARNING:** RISK OF ACCIDENTAL INJURY OR DROWNING, DO NOT USE HYDROMASSAGE BATHTUB UNLESS ALL SUCTION GUARDS ARE INSTALLED TO PREVENT BODY AND HAIR ENTRAPMENT.

**WARNING:** TO AVOID INJURY, EXERCISE CARE WHEN ENTERING OR EXITING THE HYDROMASSAGE BATHTUB.

**WARNING:** RISK OF ACCIDENTAL INJURY OR DROWNING, DO NOT USE DRUGS OR ALCOHOL BEFORE OR DURING THE USE OF A HYDROMASSAGE BATHTUB EQUIPPED WITH HEATER TO AVOID UNCONSCIOUSNESS AND POSSIBLE DROWNING.

**WARNING:** RISK OF FETAL INJURY, PREGNANT OR POSSIBLY PREGNANT WOMEN SHOULD CONSULT A PHYSICIAN BEFORE USING A HYDROMASSAGE BATHTUB EQUIPPED WITH HEATER.

**WARNING:** RISK OF HYPERTHERMIA AND POSSIBLE DROWNING, DO NOT USE A HYDROMASSAGE BATHTUB EQUIPPED WITH HEATER IMMEDIATELY FOLLOWING STRENUOUS EXERCISE.

**CAUTION:** TEST THE GROUND FAULT CIRCUIT INTERRUPTER PROTECTING THIS APPLIANCE PERIODICALLY IN ACCORDANCE WITH THE MANUFACTURER'S INSTRUCTIONS.

**WARNING:** RISK OF HYPERTHERMIA AND POSSIBLE DROWNING, WATER TEMPERATURE IN EXCESS OF 38°C MAY BE INJURIOUS TO YOUR HEALTH. CHECK AND ADJUST WATER TEMPERATURE BEFORE USE.

**WARNING:** RISK OF HYPERTHERMIA, PEOPLE USING MEDICATIONS AND/OR HAVING AN ADVERSE MEDICAL HISTORY SHOULD CONSULT A PHYSICIAN BEFORE USING A HYDROMASSAGE BATHTUB EQUIPPED WITH HEATER.

**WARNING:** RISK OF ELECTRIC SHOCK, DO NOT PERMIT ELECTRIC APPLIANCES (SUCH AS A HAIR DRYER, LAMP, TELEPHONE, RADIO, OR TELEVISION) WITHIN 1.5 M OF THIS HYDROMASSAGE BATHTUB.

## **Important Notes**

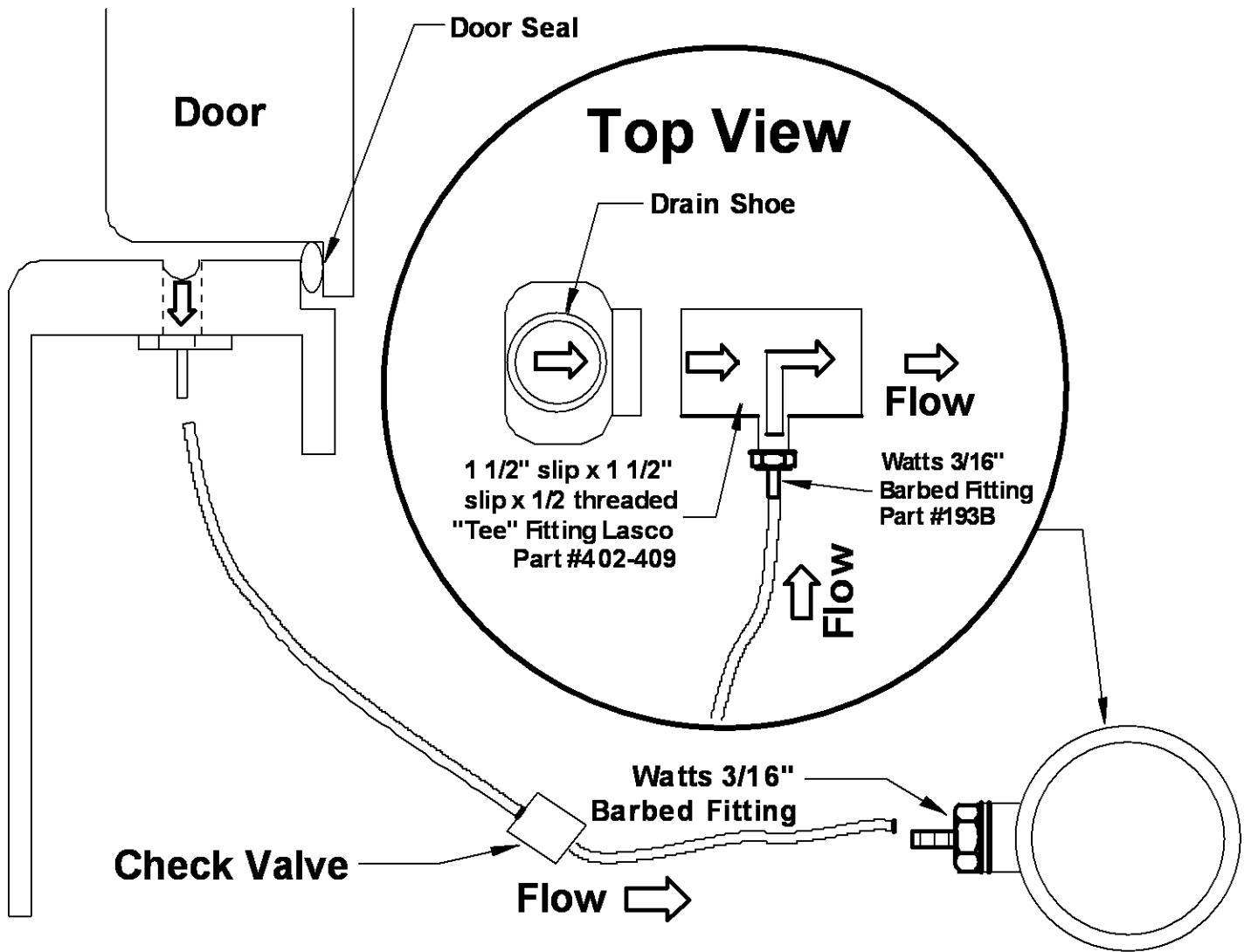
1. **Never** lift a whirlpool bathtub by the pipes! By doing this you can cause severe damage to the whirlpool system. Always lift the unit by the frame to avoid the risk of any damage to the unit or the whirlpool system.
2. Before installation cover all of the jets and suction to minimize the chance of debris falling into them and creating a blockage.
3. Cover the door drain located at the bottom of the door opening with tape to avoid blocking it with debris.
4. **Never** use the door as a handle for lifting, or a seat during installation.
5. be sure to cover the acrylic surface while setting tile and/or painting to avoid damaging the high gloss finish.
6. **Do not** dry wipe the unit during the cleaning process, always vacuum the tub out prior to using mild soap and water and a fresh soft cloth to clean.
7. \*It is **mandatory** that the floor be properly supported prior to use. Mortar mix is recommended. Any floor that has not been properly supported will not be covered under the manufactures structural warranty as implied.

**\*Important: Be sure to uncover all holes and blow out the door drain with compressed air before filling and testing after the installation has been completed!**

Plumbers please note that the following parts will be needed to connect the door drain to the main drain assembly.

1. 1 1/2 x 1 1/2 x 1/2 fipt Fitting Lasco part #402-409
2. Watts A193B Barb fitting

Please view the diagram on page 6 for details.



## Front View

### Door Drain Assembly

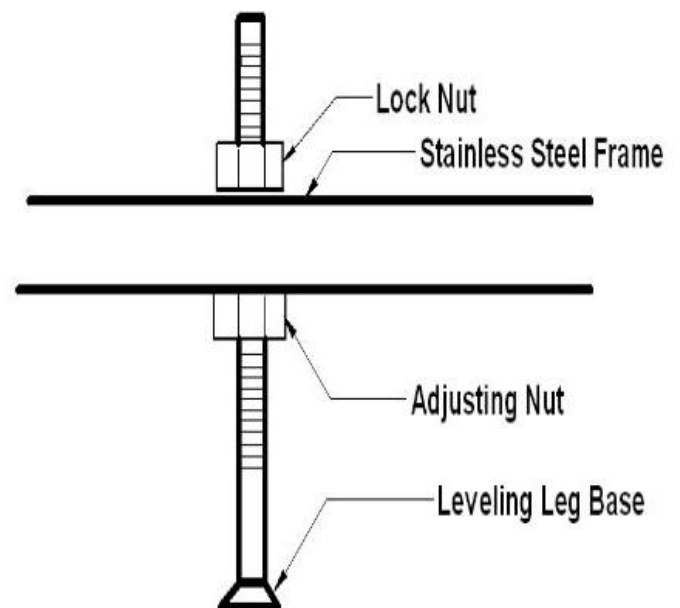
After removing your old tub or shower, take a level and check to be sure all the walls are level. Next remove any debris and check for any obstruction that may interfere with your installation.



Now you can bring in your new unit and begin to install it. Make sure that all sides fit to the walls and begin leveling the unit.



Use the five leveling legs provided to adjust height and achieve uniform leveling of the tub. Loosen the top (locking) nut by turning counter-clockwise, then loosen the bottom (adjusting) nut and move up or down according to leveling demands. After achieving the proper adjustment tighten the lock nut to secure the leveling leg.



**After properly leveling the unit, your plumber is now ready to install your plumbing. After the plumbing has been installed, it is imperative that you check for any leaks at this point before proceeding any further.**



**Depending on the size unit that you choose, there may or may not be additional space left which in most cases can be easily converted to a handy shelf area to hold soap, shampoo etc..., as shown here during the framing stages.**



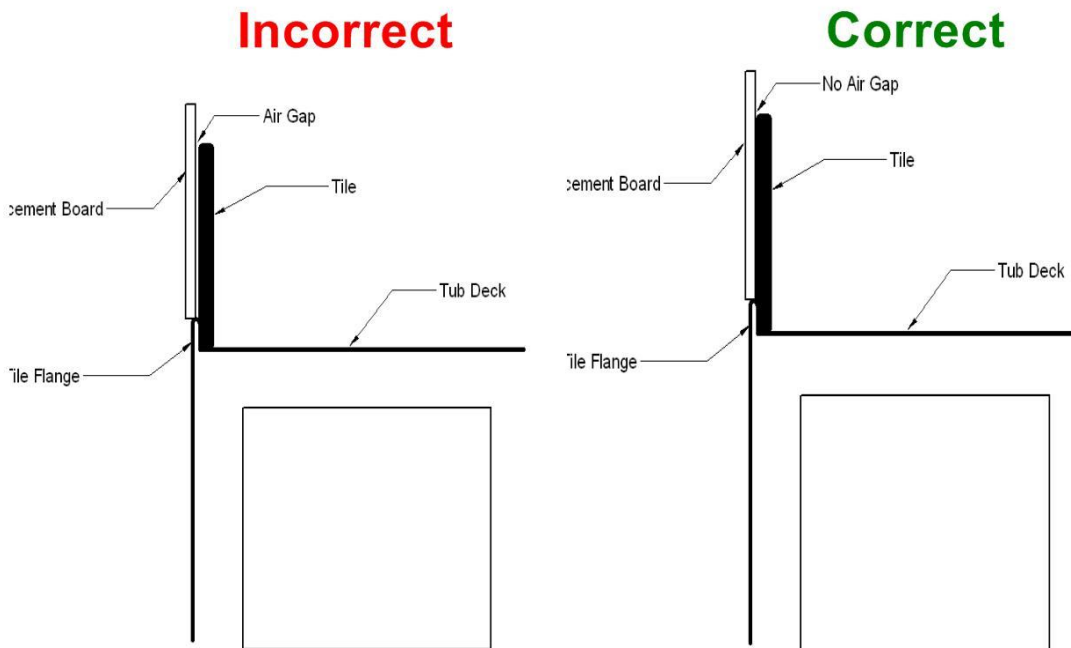
**Be sure to use waterproof materials on the walls surrounding your bathtub such as cement board shown here to avoid any future mold issues.**



You are now at the point which the walls can be covered with your choice of materials. We chose tile. Not matter what you use please pay close attention to detail, to ensure that your AquaEze Walk-in bathtub will retain it's elegant appeal.



The pictures below depict the correct and incorrect alignment of the tile flange and cement board. The picture labeled incorrect shows that the cement board is not lined up properly with the integral tile flange, leaving an air gap. The picture labeled correct indicates that the cement board has been properly installed ensuring a perfect tile angle.



## Drain Stopper Adjustment

**Step 1.** Lift the drain stopper out of the drain.

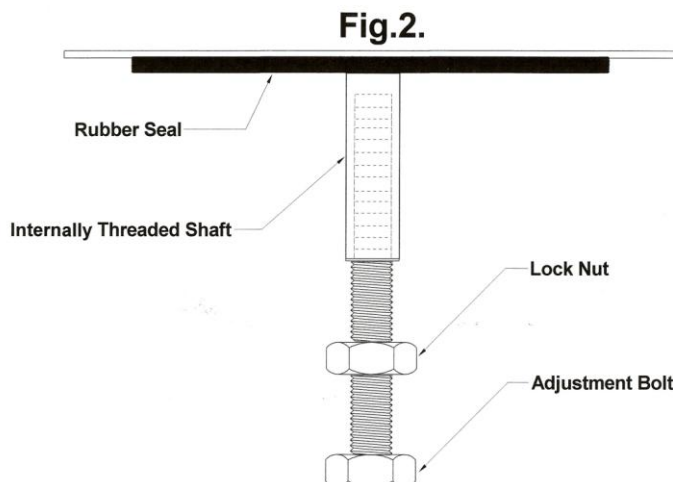
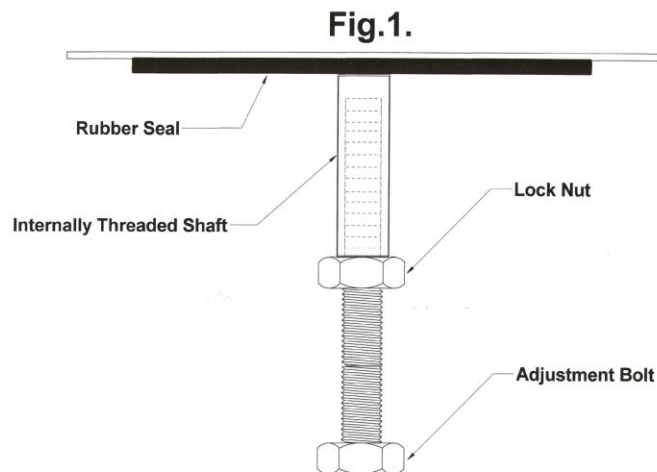
**Step2.** Locate the lock nut as shown in figure 1

**Step 3.** Loosen the lock nut as shown in figure 2

**Step 4.** Turn the adjusting bolt in or out to the desired height.

**Step 5.** Tighten the lock nut.

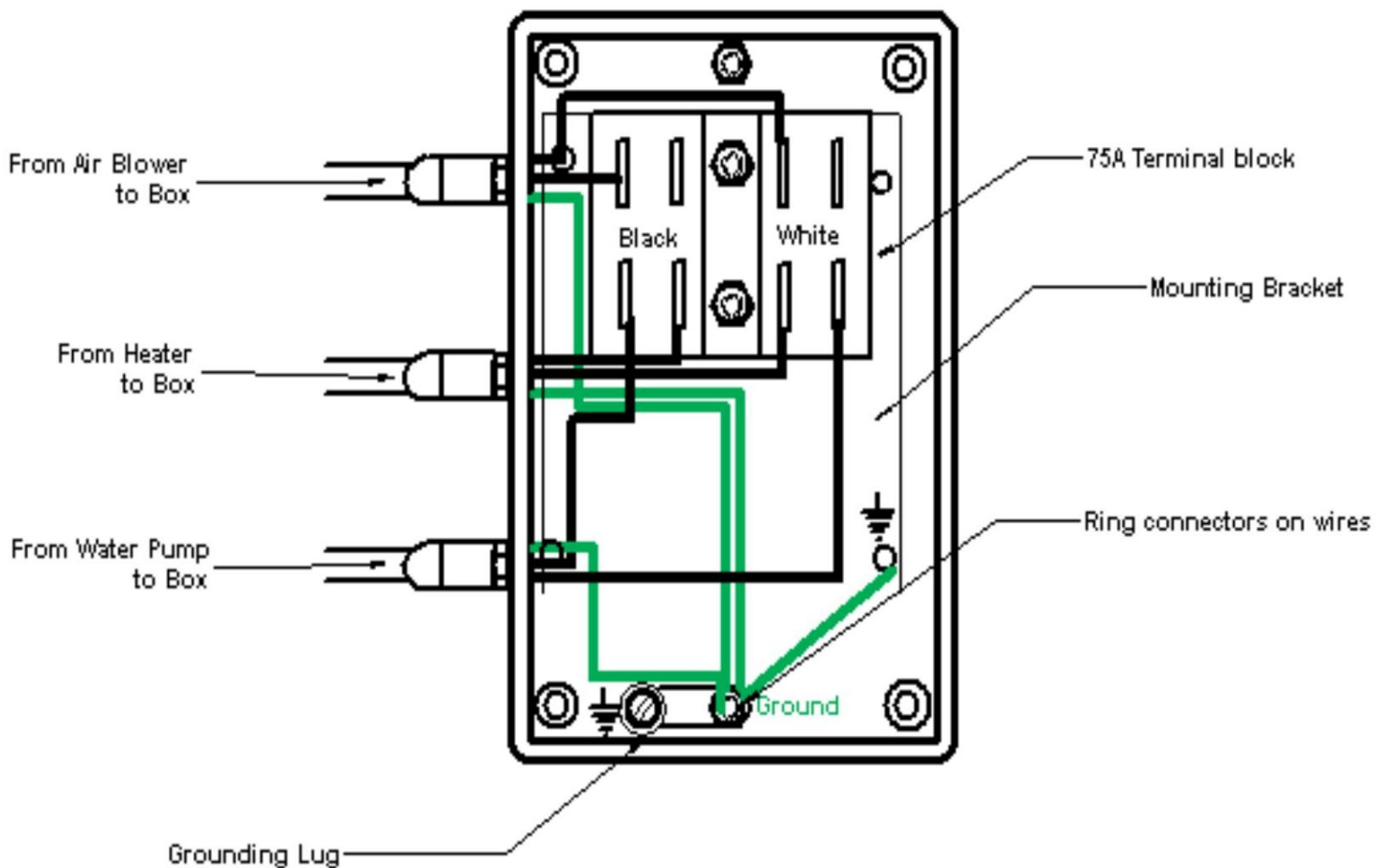
**Step6.** Insert the stopper back into the drain.



**"DANGER HIGH VOLTAGE"**

**DISCONNECT POWER BEFORE OPENING  
THE JUNCTION BOX FOR SERVICE.**

**Junction Box  
Wiring Diagram**



*Thank you for purchasing your AquaEze product. We hope that you will enjoy decades of safe and relaxing comfort, while bathing in your new AquaEze Walk-In Bathtub.*

### **Our Commitment to Quality**

AquaEze products are hand-crafted using the finest parts and materials available. Upon completion of the manufacturing and assembly process, they are subjected to strict quality control testing procedures, however in the event a problem should arise please contact our customer service department promptly, so that we are able to correct it in a timely manner.

### **Customer Service**

**1371 N. Lecanto Hwy.**

**Lecanto, FL 34461**

**Toll Free: 1-877-860-9255**

**Fax: 1-352-270-8862**

### **Customer Service Hours**

**Monday - Friday 9-5 EST**